

Prosense SafeVader Series

Prosense SafeVader Series fixed gas detectors are designed to use in safe areas. It includes all common output functions.



SafeVader has special measurement functions especially hydrogen and Refrigerant gas detection. Also lots of VOCs can be detected very quickly

Applications

- Laboratories
- Schools
- Hospitals
- Refrigerant market
- Hydrogen detection

All In One

4-20mA Analog , RS485 MODBUS RTU and Relay outputs are provided onboard to operate properly without any optional module.

Small and Smart

SafeVader has unique design and have all necessary functions for gas detection.

Accurate Readings

Infrared, Catalytic and Electrochemical sensors undoubtedly provide an accurate and sensitive measurement.

Easy Maintenance

SafeVader Series detectors allow easy configuration with three buttons and user menu.

LCD Display

The LCD display is easily readable from any angle and user menu provides easy configuration.

Easy Calibration

Detector calibration can be done automatically via preset values recorded in detector software once calibration requirements are provided.

Zero Suppression

Adjusting, the detector can show a certain measurement level as 0 (zero) to avoid unnecessary concerns.

Simple External Equipment Control

Onboard relay outputs enables you to use it as an independent gas detection system with two arbitrarily adjustable concentration alarms and one fault alarm.

Continuous Self-Test

The detectors check itself continuously to make sure it operates perfectly and indicates a fault in case of any failure.

Adjustable Parameters

All parameters can be easily changed according to the application requirements or facility standards.

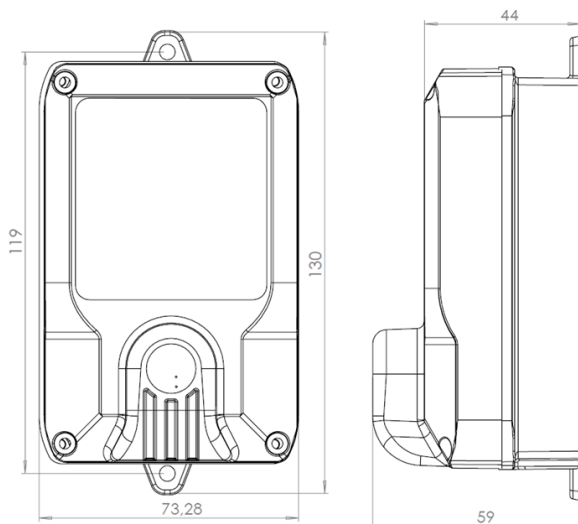
Easy Status Recognition

Colored LEDs (green, yellow and red) provide additional alarm and status information.

Specifications	SafeVader-IR	SafeVader-PEL	SafeVader-EEC	Safevader-PID
Sensing Element	Infrared	Pellistor	Electrochemical	PID
Output Signal	4-20mA Analog RS485 Modbus RTU Relay Outputs			
Sensor Warm-up Time	60sec			
Response Time (T90)	<30sec*	<25sec	<30sec**	<15sec
Accuracy	%±1			
Operating Temperature	-20°C ~ +60°C **			
Humidity	0~ 100%RH ** Non-Condensing			
Input	12 to 28VDC (24VDC nominal)			
Display	128x64 Graphic LCD 3 LED indicator for detector status			
Relay Outputs	2 Alarms (Programmable) and 1 Fault (All relays are set to NO) Relay rating 1.25A 30VDC			
Cable Entry	2xPG9			
IP Rating	IP54			
Enclosure	ABS Plastic			
Dimensions/Weight	130x73,30x59mm / 400gr			
Standards	EMC			

*When set to continuous measurement.
**Sensor dependent.

Please consult Prosense sales team for specific measurement ranges and target gases.



For more information please contact with info@prosense.com.tr