

# LevelCheck LC 510

**Microwave barrier and contactless level monitoring of bulk materials**



**NEW:** ATEX Option



## Application

The microwave barrier LevelCheck LC 510 is designed for level monitoring of solids in silos, container, bunkers, crushers, shafts etc. It can monitor min/max levels, ensure continuous supply and prevent overfilling.

The LevelCheck LC 510 can also be used to detect jamming on conveyor belts, count goods, position items or hedge dangerous areas. The device is robust, easy to install and is not affected by dirt, dust or steam.

## Scope of use

Animal feed industry  
Building materials  
Cement industry  
Ceramics  
Chemical industry  
Detergent industry  
Food industry  
Glass production  
Metal production  
Minerals and mining  
Pharmaceuticals

Pigment production  
Power plants  
Pulp and paper  
Recycling industry  
Synthetic materials  
Textiles  
Waste incineration  
etc.

**HUMY 300/3000**  
Continuous inline moisture measurement

**MF 3000**  
Microwave mass flow measurement

**FS 510**  
Microwave material flow monitoring

**FS 600**  
Electrostatic material flow monitoring

**FS 700/710/750**  
Triboelectric dust monitoring

**LC 510**  
Microwave barrier and limit level monitoring

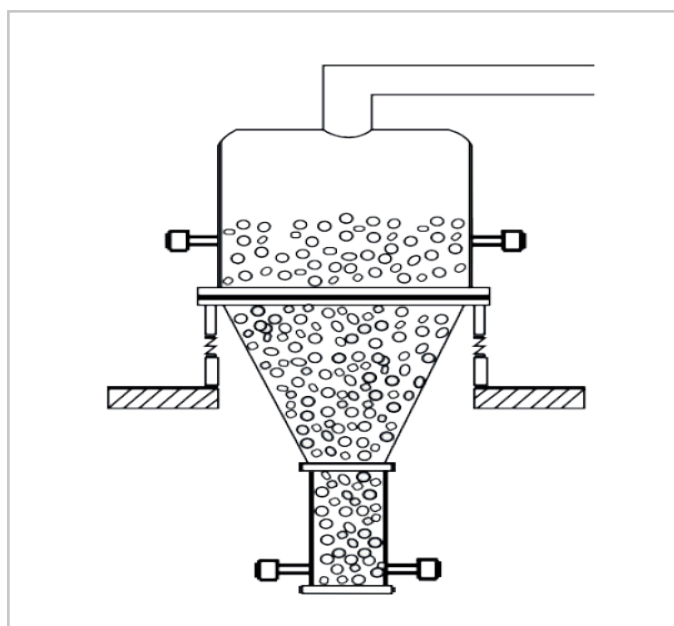
## Main Benefits

- Reliable, contactless microwave technology
- Up to 25 meters distance between emitter and receiver
- Is not affected by dirt, dust or steam
- Does not interfere with the material
- Very flexible with adjustable amplification, filter, hysteresis and delay
- Compact and easy to install
- Robust stainless steel design
- Wear- and maintenance-free
- 100% safe operation with active self-monitoring
- ATEX protection (optional up to zone 20/21)

## Function

The LevelCheck LC 510 is based on the newest microwave technology. An emitter sends out a low-power microwave beam which is received by an opposite device. The two devices can be placed up to 25 meters apart. Any material between them is detected and a switching process started. This allows e.g. to monitor minimum / maximum fill levels in silos or detect objects entering or leaving the microwave barrier.

The measurement is contact-free and does not impact the bulk material. All settings like amplification, filter, hysteresis, delay can be adjusted, making the system very flexible. Optional versions for ATEX up to zone 20/21 and pressure up to 30-60 bar extend its area of use. The LevelCheck LC 510 is compact and is installed within minutes.



## Technical Data

Housing material	Stainless steel (1.4307)
Sensor surface	Teflon (optional ceramic)
Ambient temperature	-20°C to +60°C
Process temperature	-20°C to +85°C
Process pressure	6 bar (optional 30-60 bar)
Protection class	IP65
Ex protection / ATEX	Optional up to Zone 20/21
Power supply	24 VDC (18 - 30 VDC)
Current consumption	Ca. 80 mA at 24 VDC
Transmitting power	10 dBm
Output (switching)	1x Relay contact (change-over contact, potential free) 1x NO ready contact
Switching voltage	30 VAC or 30 VDC
Switching current	min. 10 µA & max. 2 A
Switching power	30 VA or 30 W
Electr. connection	Plug-in screw terminals
Adjustable parameter	Amplification, filter, hysteresis, delay
Parameterization	Direct at device via buttons
Indicators	LED green (working) LED yellow (switch) Bar graph (e.g. field intensity)

