



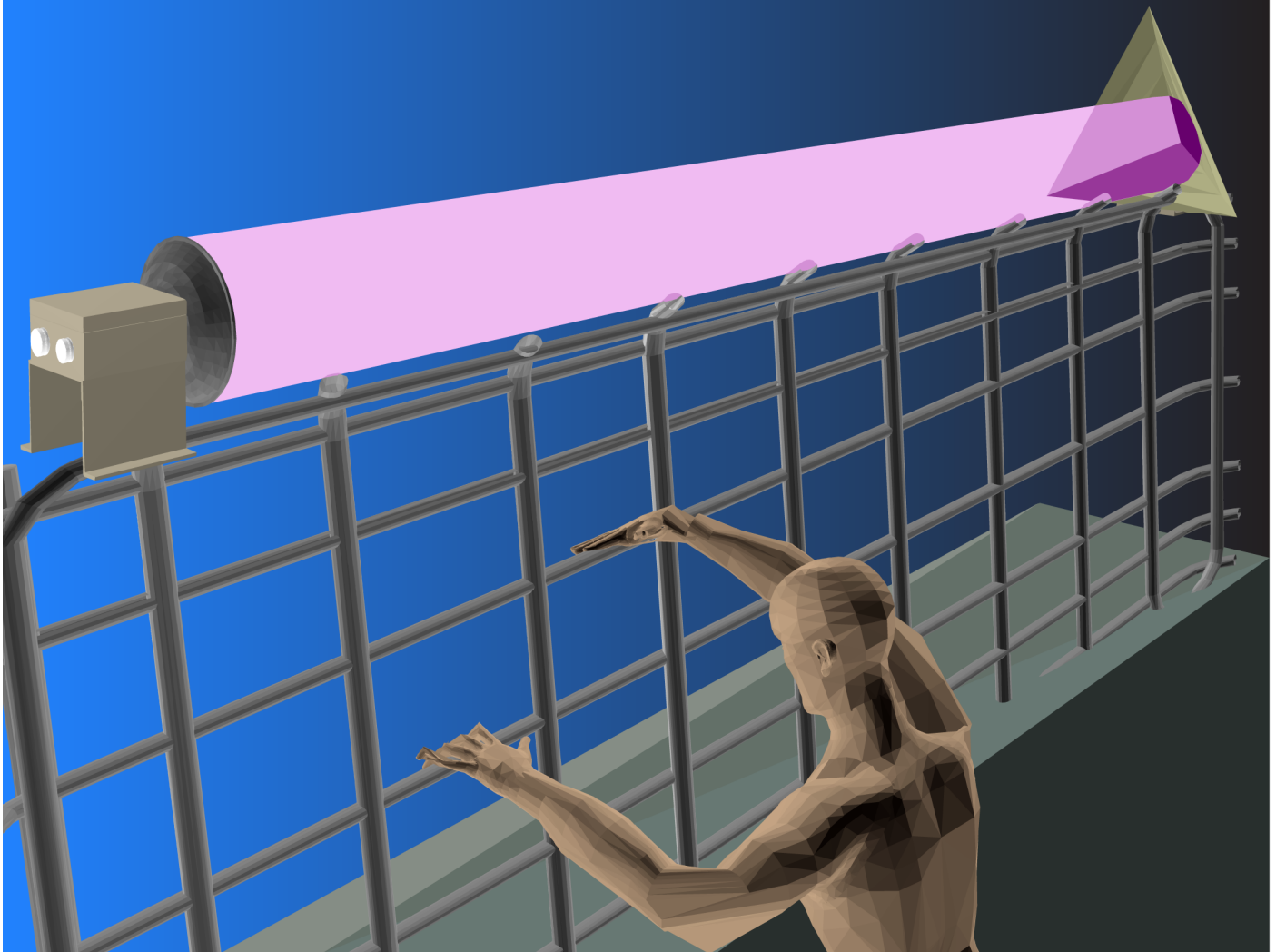
**Rangefinder-type
Microwave Entry Alarm Sensor**

MWS-MG-1 PAT.

MICRO-GUARD

Provisional

Penetrates fog, snow and rain

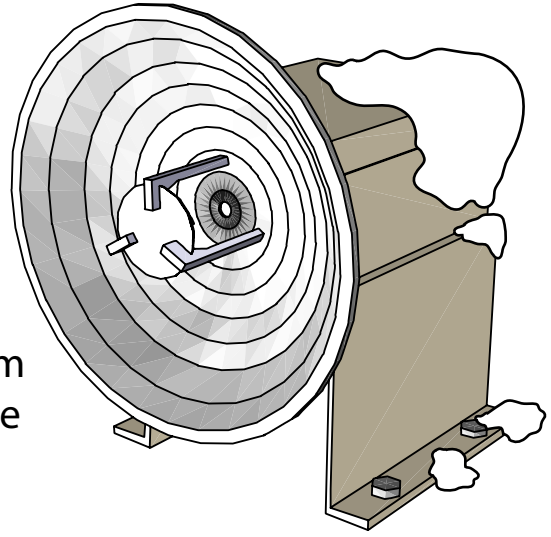


WADECO CO.,LTD.

MWS-MG-1

Entry Alarm Sensor Micro-Guard

The type MWS-MG-1 Entry Alarm Sensor is a sensor using microwaves to prevent unauthorized entry from outside. Microwaves emitted from the sensor are reflected by the reflector and received by the sensor. If the beam is blocked by an intruder, an alarm signal will be output.



All weather proof !

FEATURES

- **Rangefinder Type**
A certain way to detect entry as the system measures the distance to the pyramidal reflector
- **Bad Enviroment Proof**
Microwaves will penetrate any dirt and layers of build-up on the antenna and reflector, furthermore they will not be affected by adverse environmental conditions such as rain, fog, snow, dust, steam and vapor.
- **Easy Beam Alignment**
Transmitting/receiving beam is conical-shaped making for easy beam alignment. No need to worry about beam slippage-caused malfunction.
- **No Interference Between Sets**
Multiple Micro-Guards can be placed in close proximity to each other.
- **OK for Outdoor Use**
- **Priced Affordably**

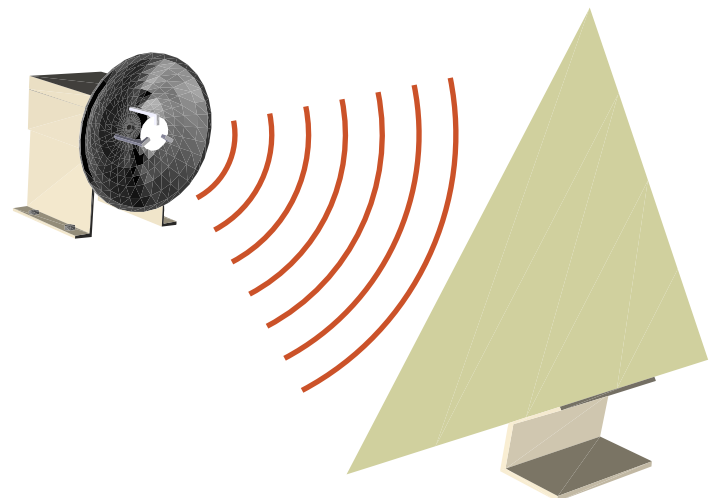
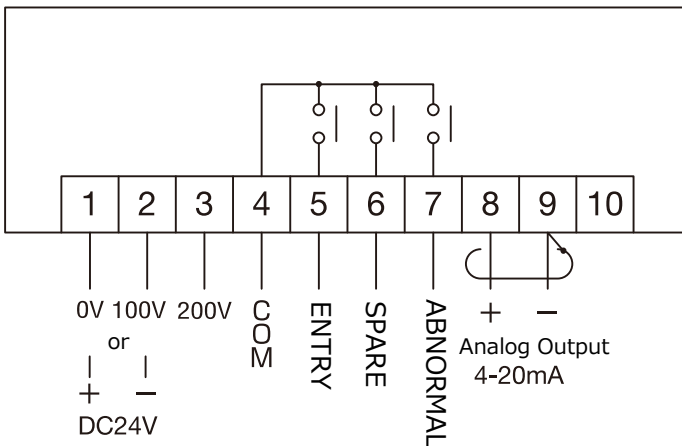
MICRO-GUARD

SPECIFICATIONS

Sensor Type	MWS-MG-1A or MWS-MG-1B	MWS-MG-1ADC or MWS-MG-1BDC
Reflector Type	CR-500	
Power Supply	AC100-120V or AC200-240 $\pm 10\%$, 50/60Hz	DC24V
Operating Range	1.5m~100m	
Measurement Accuracy	Approx. $\pm 0.5m$	
Frequency and Transmission Power	Approx. 24GHz, less than 10mW	
Entry Output	Relay contact, AC250V, 3A ($\cos \phi=1$)	
Abnormal Output	Relay contact, AC250V, 3A ($\cos \phi=1$)	
Analog Output	4~20mA (0~100m)	
Start-Up Time	Approx. 5 seconds	
Power Consumption	10VA	
Noise Immunity	Pulse noise from noise simulator $\pm 1.5KV$ (Normal and common mode)	
Ambient Operating Temperature	$-10^{\circ}C \sim +55^{\circ}C$	
Enclosure Rating	IP65/NEMA4 equivalent	
Construction	Sensor: Aluminum Diecast (Main Body), SS400 (Base and Cover)	Reflector: SS400
Color	Gray	
Weight	Main Unit: Approx. 10kg	Reflector: Approx. 4.2kg

Note: To prevent interference between multiple Micro-Guards installed in close proximity, install the A type on one side and the B-type on the other side.

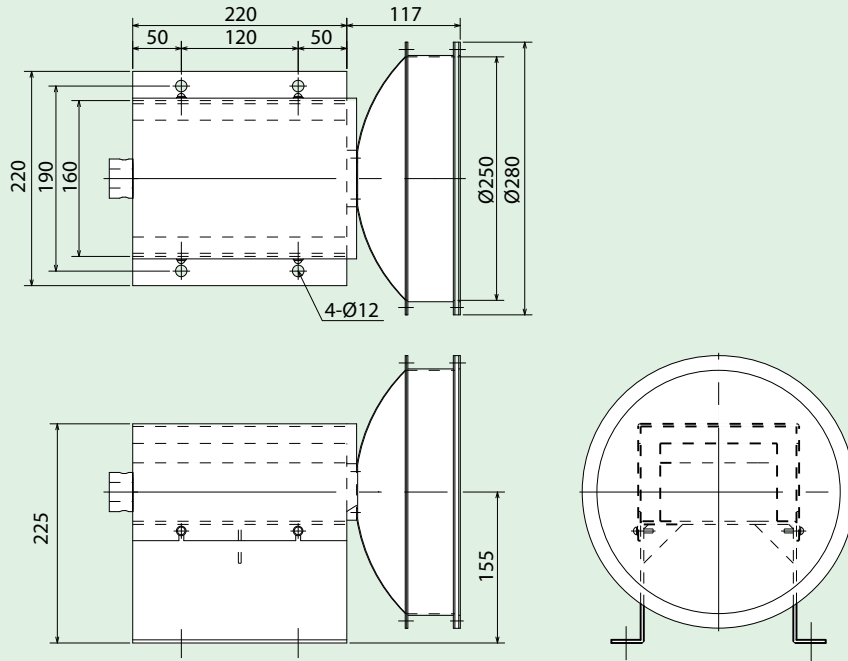
WIRING



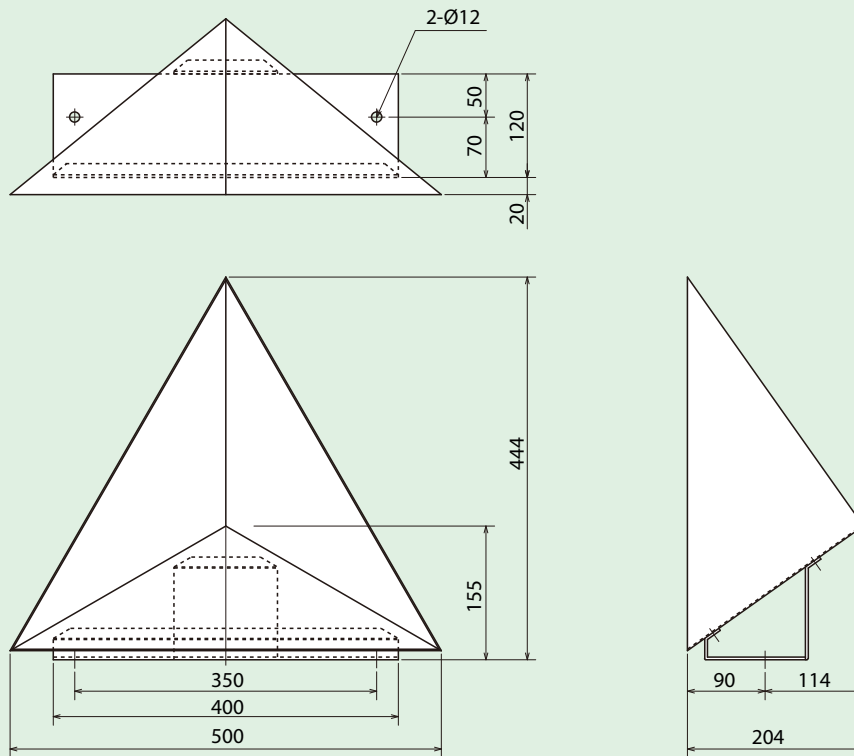
Relay Configuration

Usage		Entry	Abnormal
Terminals		4-5	4-7
Unpowered State		Open	Open
Powered State	Non-Detection	Closed	Closed
	Detection	Open	Open

Controller



Reflector



Specifications subject to change without notice.



1-9-27, Jokoji, Amagasaki-shi, Hyogo-ken 660-0811, Japan
 TEL. +81-6-6482-3838 FAX. +81-6-6481-6321
 Email: sales@wadeco.co.jp
 URL: <http://www.wadeco.co.jp>