



VERSATILE ENOUGH TO BECOME YOUR GLOBAL STANDARD

The Roto-Bin-Dicator is the most universal of all level sensing technologies and is the most popular level switch used in dry bulk materials. The Roto-Bin-Dicator is a rotating paddle type, bulk material level sensor offered with a wide variety of paddle options for unequaled application versatility. It is easy to install and requires no special tools or calibration.

FEATURES AND BENEFITS

- A simple, mechanical mechanism means no calibration is required for quick installation
- Long-lasting, sealed motor keeps maintenance and replacement costs low
- Extensive Paddle Options to adapt to a variety of applications
- Frame designed to enable connection flexibility
Imperial or Metric conduit entry options
Process Fitting can be made to fit any connection

SPECIFICATIONS

FUNCTIONAL

Operating Power	24/120/240 VAC; 50/60 Hz, 24 VDC
Power Consumption	5 watts
Motor	1 rpm
Fail-Safe Circuitry	Low level fail safe
Switch Rating	General Purpose: SPDT 20A @ 125/250/480 VAC. Pilot Duty: 345 VA, 115 VAC; 690 VA, 230 VAC
Operating Temp	-40° F to 113° F (-40° C to 45° C)

PHYSICAL

Drive Shaft Assembly	Precision machined shaft with two shielded ball bearings
Shaft Seal	Teflon®/Viton® Lipseal rated 1/2 micron @ 30 psi (2.1 kg/cm ²) @ 400° F (204° C)
Housing and Cover	Type 4X/IP66 polyester coated aluminum casting
Mounting Plate	8" outside diameter with 1 1/4" NPT pipe threaded coupling; standard polyester coated mild steel; optional 304 stainless steel; H-19 Half Coupling; H-192 Full Coupling
Conduit Entry	3/4" NPT or M20 x 1.5
Rigid Shaft and Paddle	Metal parts of all designs are 304 stainless steel
Flex Shaft	Available in neoprene, 155° F (68° C) or silicone, 400° F (204° C) coatings
Shipping Weight	Aluminum housing 10 lbs (4.5 kg) Stainless steel housing 16 lbs (7.3 kg)

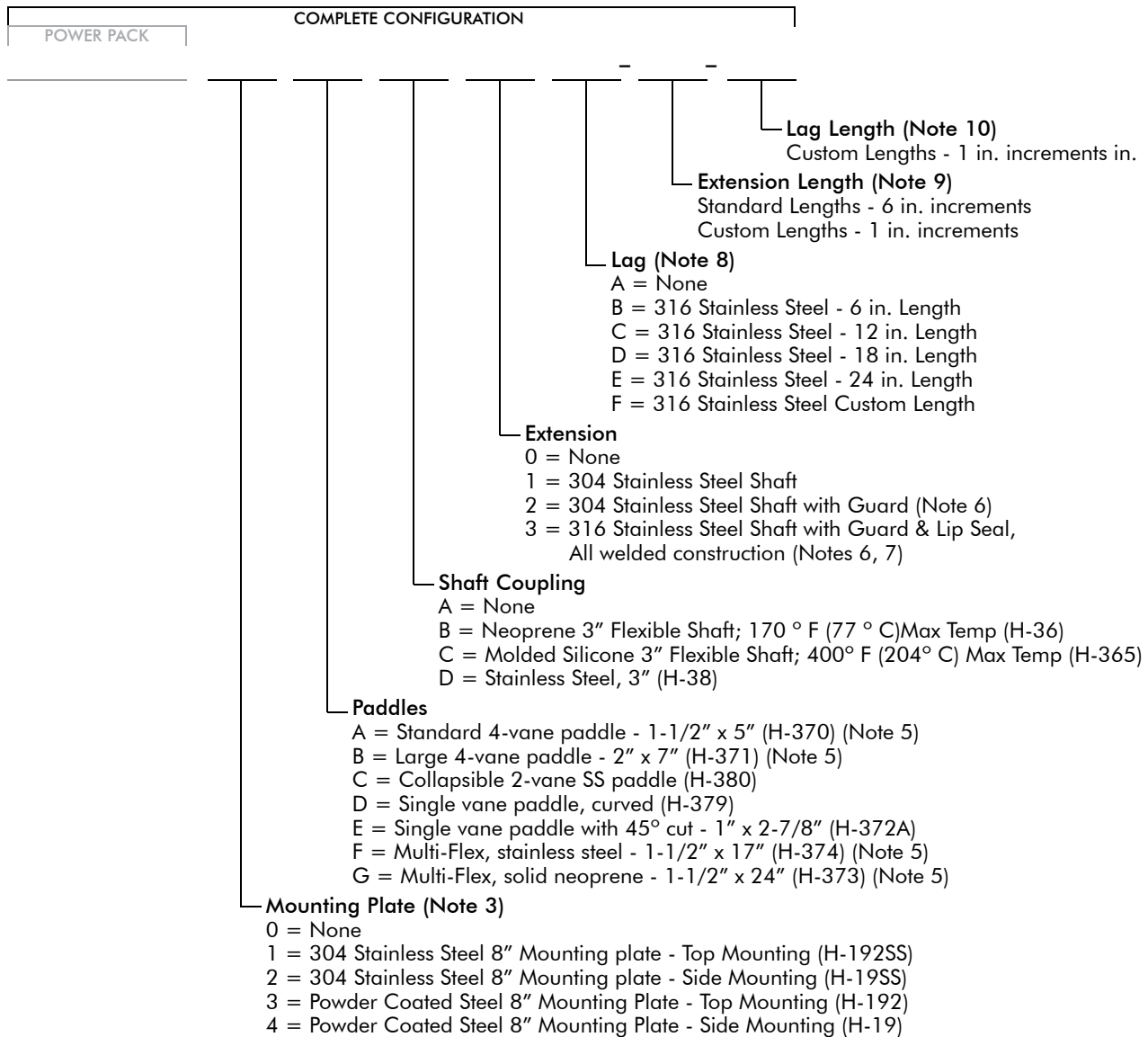
NOTE. Consult Factory where the housing temperature will be above 200° F (93° C). Shaft extensions and guards are available in galvanized, T-303 SS and T-316 SS. The Roto-Bin-Dicator® is also available with the Super-Safe-Plus option.

ROTO-BIN-DICATOR - ORIGINAL - PART ONE

POWER PACK OPTIONS	COMPLETE CONFIGURATION
	<p>Process Fitting X1 = Aluminum Frame Neck, NPT 1-1/4" X2 = 304 Stainless Steel Frame Neck, NPT 1-1/4" C2 = 316 Stainless Steel NPT 1-1/4" D2 = 316 Stainless Steel NPT 1-1/2" E2 = 316 Stainless Steel BSP Tapered R 1-1/4" F2 = 316 Stainless Steel BSP Tapered R 1-1/2" J2 = 316 Stainless Steel BSP Straight G 1-1/4" (Note 11) K2 = 316 Stainless Steel BSP Straight G 1-1/2" (Note 11) M2 = 316 Stainless Steel Tri-Clamp 1-1/2" N2 = 316 Stainless Steel Tri-Clamp 2"</p> <p>Housing Finish A = Powder Coated Aluminum B = 304 stainless steel (Notes 2, 3) C = Epoxy Painted Aluminum D = Anodized Aluminum</p> <p>Model (Note 1)</p>
	<p>Ordinary Location Standard Roto-Bin-Dicator R-H = 120 VAC, 1SPDT RA-H = 120 VAC, 2SPDT RB-H = 240 VAC, 1SPDT RC-H = 240 VAC, 2SPDT RD-H = 24 VDC, 1SPDT RE-H = 24 VDC, 2SPDT RF-H = 24 VAC, 1SPDT RG-H = 24 VAC, 2SPDT R-HM = 120 VAC, 1SPDT, Metric RA-HM = 120 VAC, 2SPDT, Metric RB-HM = 240 VAC, 1SPDT, Metric RC-HM = 240 VAC, 2SPDT, Metric RD-HM = 24 VDC, 1SPDT, Metric RE-HM = 24 VDC, 2SPDT, Metric RF-HM = 24 VAC, 1SPDT, Metric RG-HM = 24 VAC, 2SPDT, Metric</p>
	<p>Hazardous Location Standard Roto-Bin-Dicator RX-H = 120 VAC, 1SPDT RXA-H = 120 VAC, 2SPDT RXB-H = 240 VAC, 1SPDT RXC-H = 240 VAC, 2SPDT RXD-H = 24 VDC, 1SPDT RXE-H = 24 VDC, 2SPDT RXF-H = 24 VAC, 1SPDT RXG-H = 24 VAC, 2SPDT RX-HM = 120 VAC, 1SPDT, Metric with ATEX and IEC approvals RXA-H M= 120 VAC, 2SPDT, Metric with ATEX and IEC approvals RXB-HM = 240 VAC, 1SPDT, Metric with ATEX and IEC approvals RXC-HM = 240 VAC, 2SPDT, Metric with ATEX and IEC approvals RXD-HM = 24 VDC, 1SPDT, Metric with ATEX and IEC approvals RXE-HM = 24 VDC, 2SPDT, Metric with ATEX and IEC approvals RXF-HM = 24 VAC, 1SPDT, Metric with ATEX and IEC approvals RXG-HM = 24 VAC, 2SPDT, Metric with ATEX and IEC approvals</p>

Note 1. For PowerPack ordering: for powder coated aluminum and 1-1/4 in. NPT order by model number only.

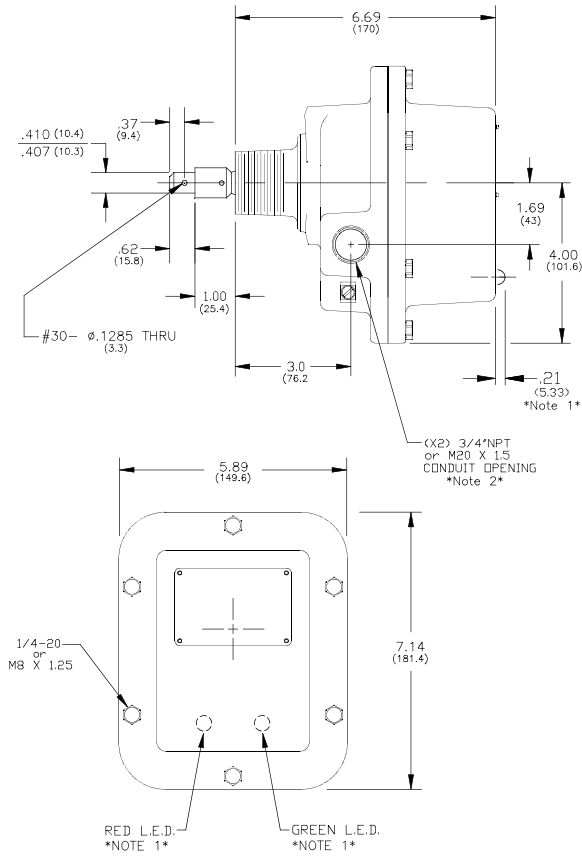
ROTO-BIN-DICATOR - ORIGINAL - PART TWO



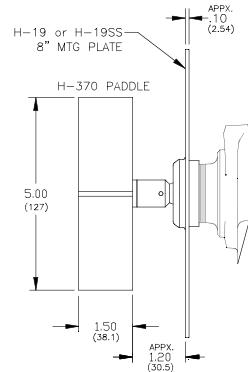
Notes:

- Hazardous location approval not available with stainless steel Housing Finish
- Function Test FOB not available with stainless steel Housing Finish
- For Mounting Plates Process Fitting must be X1, X2, or C2.
- Mounting plate is required.
- Shaft guard length will be 2 in. shorter than extension length unless otherwise noted
- Process Fitting cannot be X1 or X2 and maximum length is 24 in.
- Lag not available with process fitting X1 or X2
- Maximum extension length is 180 in. (4.6 m), minimum length is 3 in. (7.6 cm); leave blank if not used.
- Maximum lag length is 24 inches, minimum length 1 in. (2.5 cm); leave blank if not used
- Flat gasket is included for Process Fittings with straight threads.

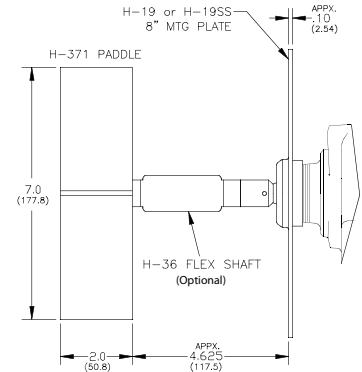
Housing Dimensions



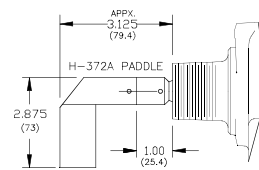
Standard 4-Vane Paddle



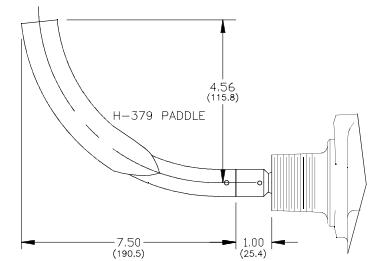
Large 4-Vane Paddle



Single Vane Paddle 45° Cut



Single Vane Paddle Curved



AGENCY APPROVALS

UL (US and Canada)

- Ordinary Location, Type 4X; IP66
- Hazardous Locations, Type 4X; IP66 (Pending)
Explosion Proof
Dust Ignition Proof

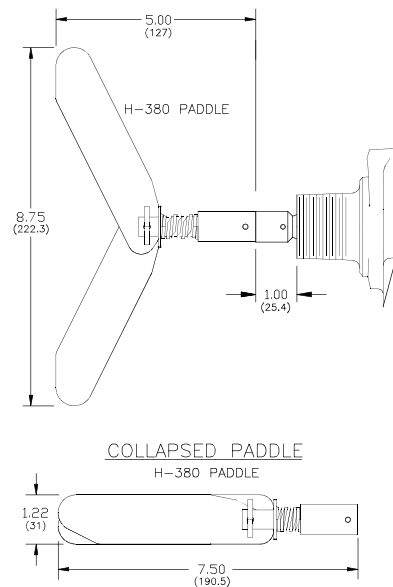
ATEX/IEC/IECex (Pending)

- Dust and Gas Categories

CE

- Electromagnetic Compatibility Directive
- Low Voltage Directive

Collapsible Paddle



150 Venture Boulevard · Spartanburg, SC 29306
 Tel: (800) 778-9242 · (864) 574-8060
 Fax: (864) 574-8063
 E-mail: sales@bindicator.com
 www.bindicator.com



LAR180010 Rev. H

2013 All rights reserved.
 All data subject to change without notice.