

## 07/ SLIDE

### Mounting Accessory for the OILSPY Standard



This photo is an illustration of a specific slide.

The Slide is a mounting accessory for the Standard **OILSPY** hydrocarbons detector.

The detector is attached to a floating assembly and guided vertically. It allows its use in space restricted sites with variable water levels:

- decanting basin, collector, output canal, aqueduct...

#### 4 fixing versions

- **Ref. 1603** : 2 mounting brackets, up and down
- **Ref. 1710** : Base plate pad
- **Ref. 1641** : Dead weight (50 kg)
- **Ref. 1951** : Bottom mounting only
- Slides for specific applications on request

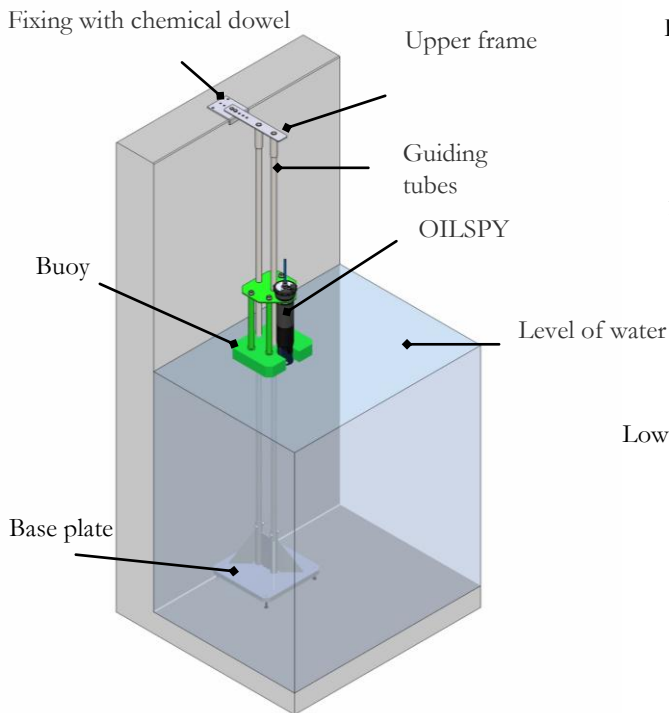
#### Specifications

- Material : guiding tubes : Stainless steel AISI 316L
- Guiding tubes length :
  - 1603, 1641 et 1710 versions :  
Min : 1m      Max : 6m
  - 1951 versions :  
Min : 0.75m      Max : 1m

#### Description

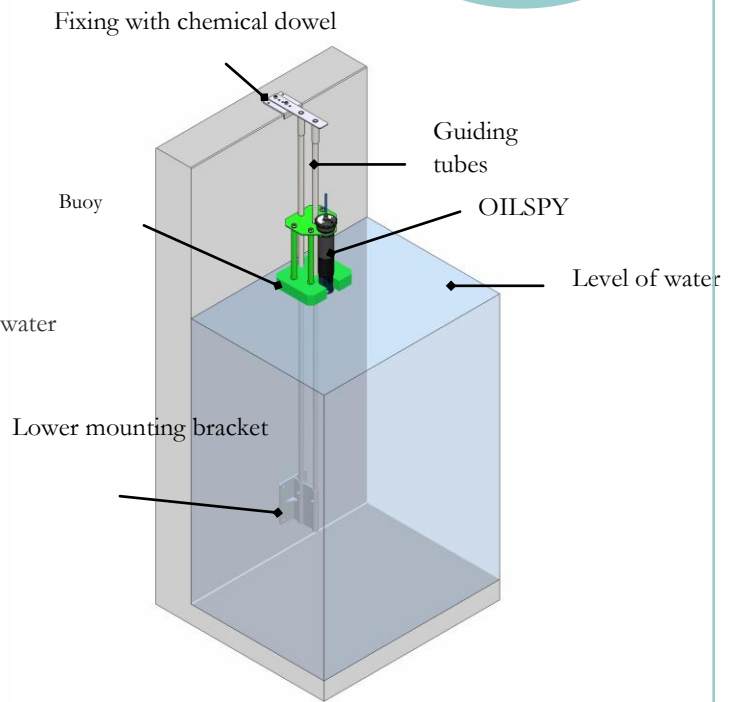
- The slide is made of the guiding assembly (2 guides and 2 mountings high and low) and a float.
- **Water level variation**: +/- 70 cm around a medium level with a 2 meters long standard version (other lengths available upon request)
- **Material** : Stainless steel AISI 316L
- For maintenance purposes, the floating assembly can be lifted by pulling the **OILSPY's** cable

	Total Standard mass (without buoy)	Mass of the buoy
<b>1603</b>	6.4 kg (2m)	900g
<b>1710</b>	5.7 kg (2m)	
<b>1951</b>	1.9 kg (1m)	
<b>1641</b>	59.217 kg (2m)	



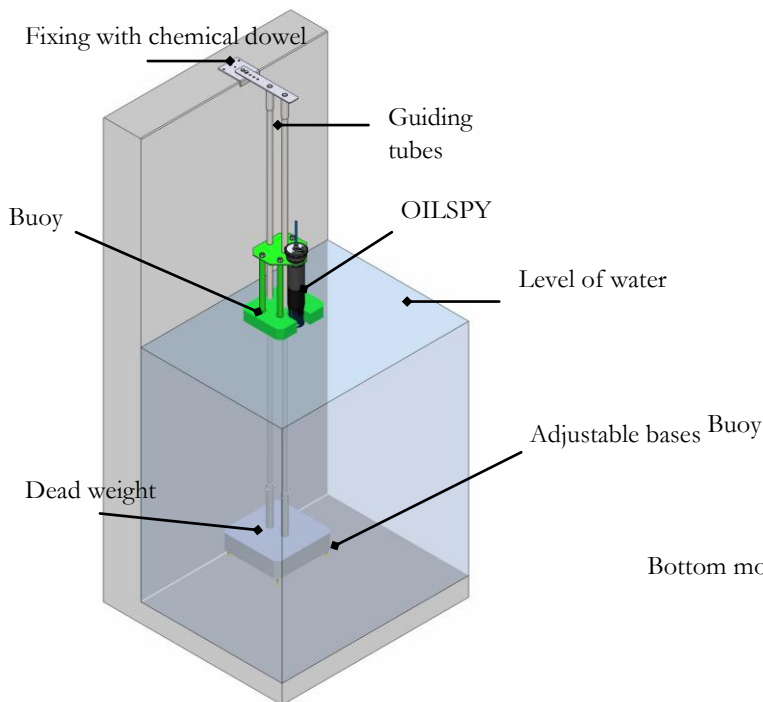
**SLIDE 1710**

- low stream
- difficult access to the bottom



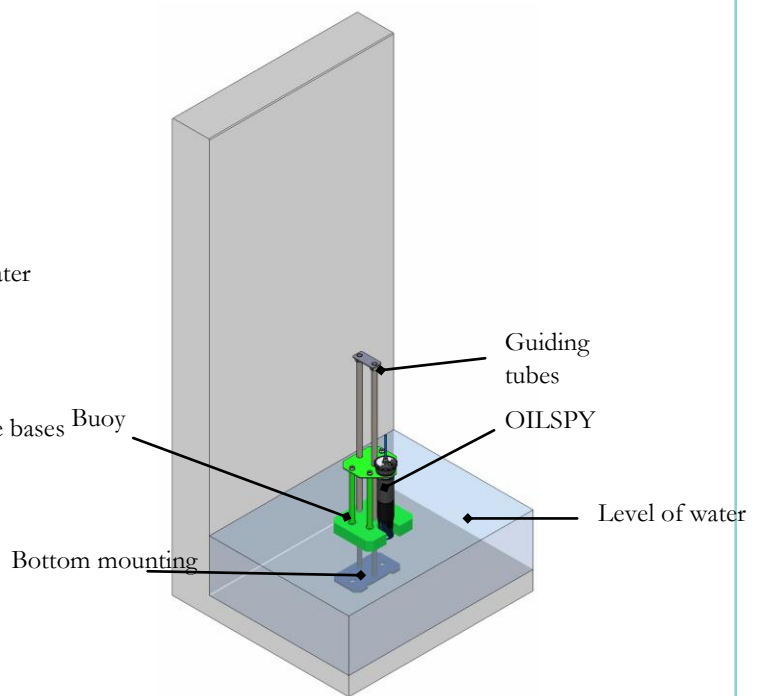
**SLIDE 1603**

- water level variation < 0.7m
- impossible access to the bottom



**SLIDE 1641**

- strong stream
- impossible access to the bottom



**SLIDE 1951**

- low detection with a low level of water
- bottom mounting (no upper one for  $H < 1m$ )