

# NEREIDES OILSPY

## SLIDE MOUNTING ACCESSORY FOR THE OILSPY STANDARD

The Slide is a mounting accessory for the Standard OILSPY hydrocarbons detector. The detector is attached to a floating assembly and guided vertically. It allows its use in space restricted sites with variable water levels:

- decanting basin, collector, output canal, aqueduct etc



### DESCRIPTION

- The slide is made of the guiding assembly (2 guides and 2 mountings high and low) and a float.
- **Water level variation:** +/- 70 cm around a medium level with a 2 meters long standard version (other lengths available upon request)
- **Material :** Stainless steel AISI 316L
- For maintenance purposes, the floating assembly can be lifted by pulling the OILSPY's cable

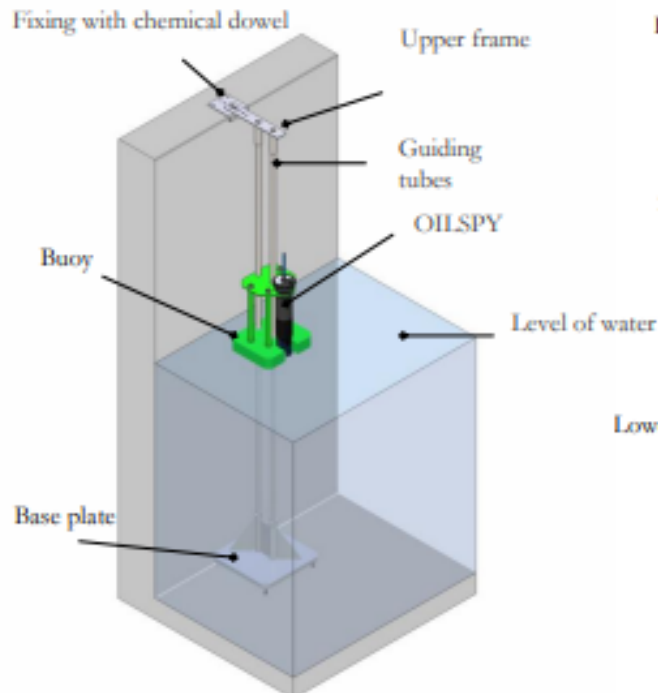
### FOUR FIXING VERSIONS

- **Ref. 1603:** 2 mounting brackets, up and down
- **Ref. 1710:** Base plate pad
- **Ref. 1641:** Dead weight (50 kg)
- **Ref. 1951:** Bottom mounting only
- Slides for specific applications on request

### SPECIFICATIONS

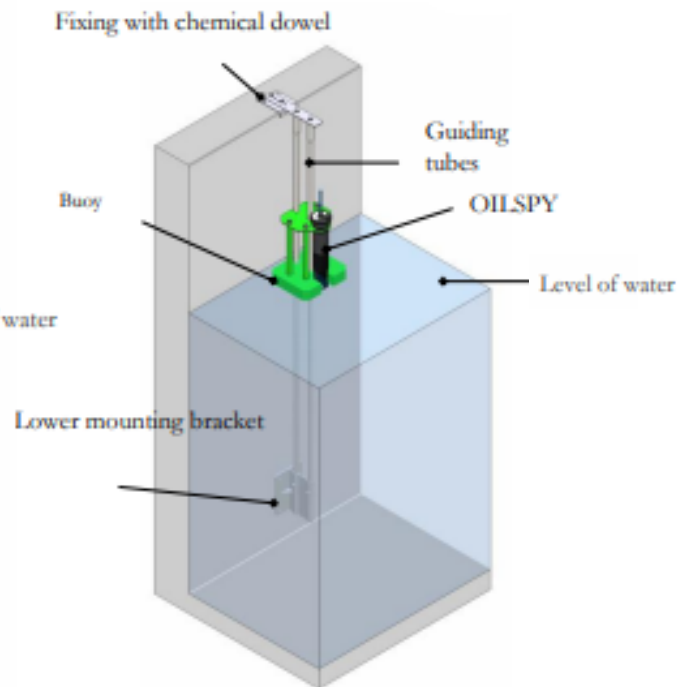
- **Material:** guiding tubes: Stainless steel AISI 316L
- **Guiding tubes length:**
  - 1603, 1641 et 1710 versions:
    - Min : 1m      Max : 6m
  - 1951 versions :
    - Min : 0.75m      Max : 1m

	Total Standard mass (without buoy)	Mass of the buoy
1603	6.4 kg (2m)	900g
1710	5.7 kg (2m)	
1951	1.9 kg (1m)	
1641	59.217 kg (2m)	



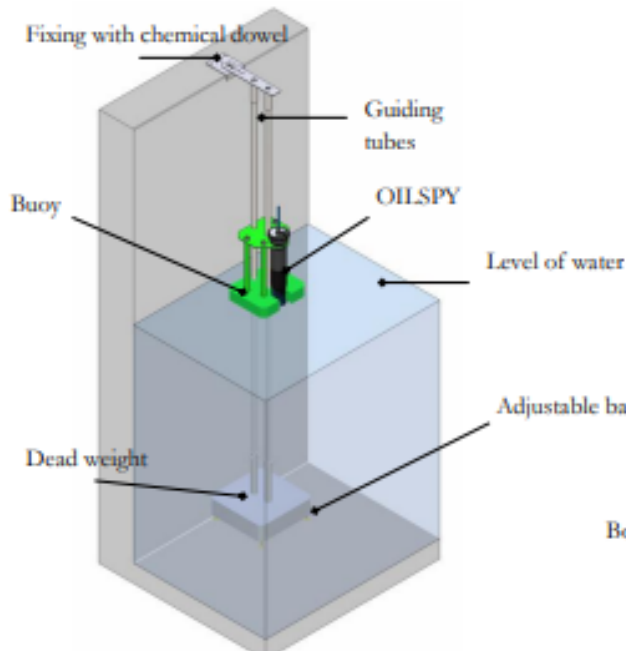
**SLIDE 1710**

- low stream
- difficult access to the bottom



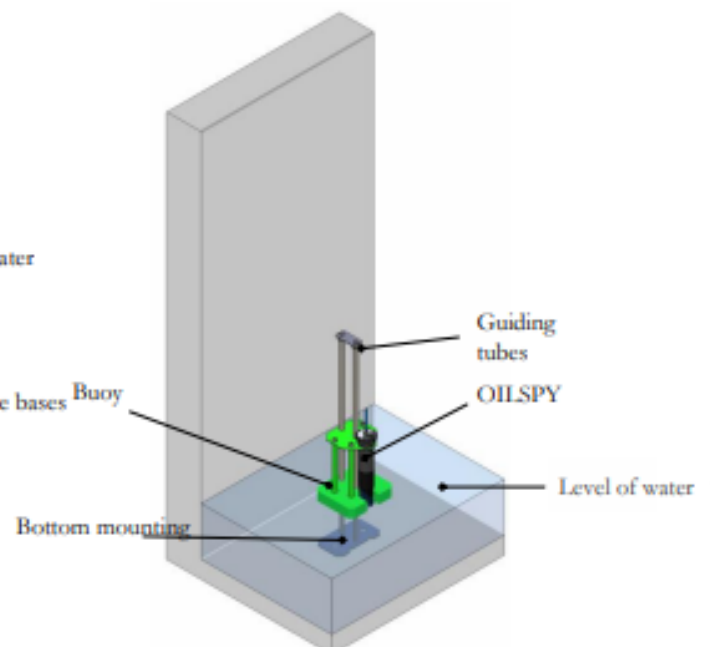
**SLIDE 1603**

- water level variation < 0.7m
- impossible access to the bottom



**SLIDE 1641**

- strong stream
- impossible access to the bottom



**SLIDE 1951**

- low detection with a low level of water
- bottom mounting (no upper one for H<1m)