

Rhosonics instrument

Rhosonics RCU-1

DCS system

➔ HART / 4 ... 20 mA

➔ Modbus RTU, HART / 4 ... 20 mA
Other outputs on request



RCU REMOTE CONTROL UNIT

PRODUCT INFORMATION

RCU – Remote Control Unit

INTRODUCTION

The RCU Remote Control Unit can be used for remote control of Rhosonics measuring instruments from a safe and convenient location of choice. This device is available in three different versions and is suitable for several Rhosonics measuring instruments.

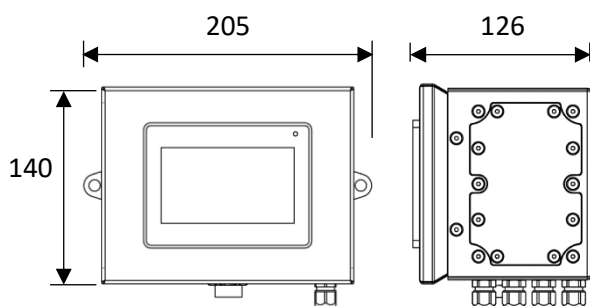
REMOTE CONTROL UNIT

Depending on the type of RCU, operators can use this device to read their measured values, convert communication protocols and/or adjust settings of the field instrument using a touch screen interface. The RCU is directly connected with the field instrument by a cable for continuous and real-time measuring results.

FEATURES AND BENEFITS

- Real-time process monitoring and control of Rhosonics instruments at a safe and convenient location
- USB port to collect log data from the Rhosonics instrument on a USB-stick
- Convert a HART/4...20 mA signal to a Modbus RTU signal or Profibus DP*

DIMENSIONS (in mm)



* Some specifications are different for each RCU model, please contact Rhosonics for detailed information per model

RCU MODELS

- **RCU-1 HART**

This model can be used to convert a HART/4...20 mA signal to a Modbus RTU signal without losing the 4...20 mA signal. The RCU-1 has a touchscreen display to read measured values and change settings of the field instrument.

- **RCU-2 BASIC**

Can also be used for HART/4...20 mA to Modbus RTU conversion without losing the 4...20 mA signal. The RCU-2 has no display, however a free-of-charge Rhosonics software program is included to read measured values and adjust settings of the field instrument at your PC/PLC.

- **RCU-4 Profibus DP**

This model can be used to convert a HART/4...20 mA signal to a digital Profibus DP signal without losing the HART/4...20 mA signal. A touchscreen display shows measuring results and can be used to change settings, this is also possible at your PC/PLC with the included free-of-charge software program.

GENERAL SPECIFICATIONS

Display:	4.3" TFT color display 480x272*
Operations:	Touch-screen user interface*
Power supply:	18 ... 32 VDC, 8 Watt <i>Optional: Power converter available for 90...240 VAC</i>
Output:	HART/4-20 mA, Modbus RTU via RS485 or RS232, Profibus DP*
Communication:	Depends on type of RCU model* Ethernet on request
Data logging:	Continuous, transfer via USB-stick
Protection:	IP65*
Weight:	2,5 kg*
Housing materials:	Stainless Steel

CONTACT

Phone: +31 341- 37 00 73

E-mail: info@rhosonics.com

Website: www.rhosonics.com